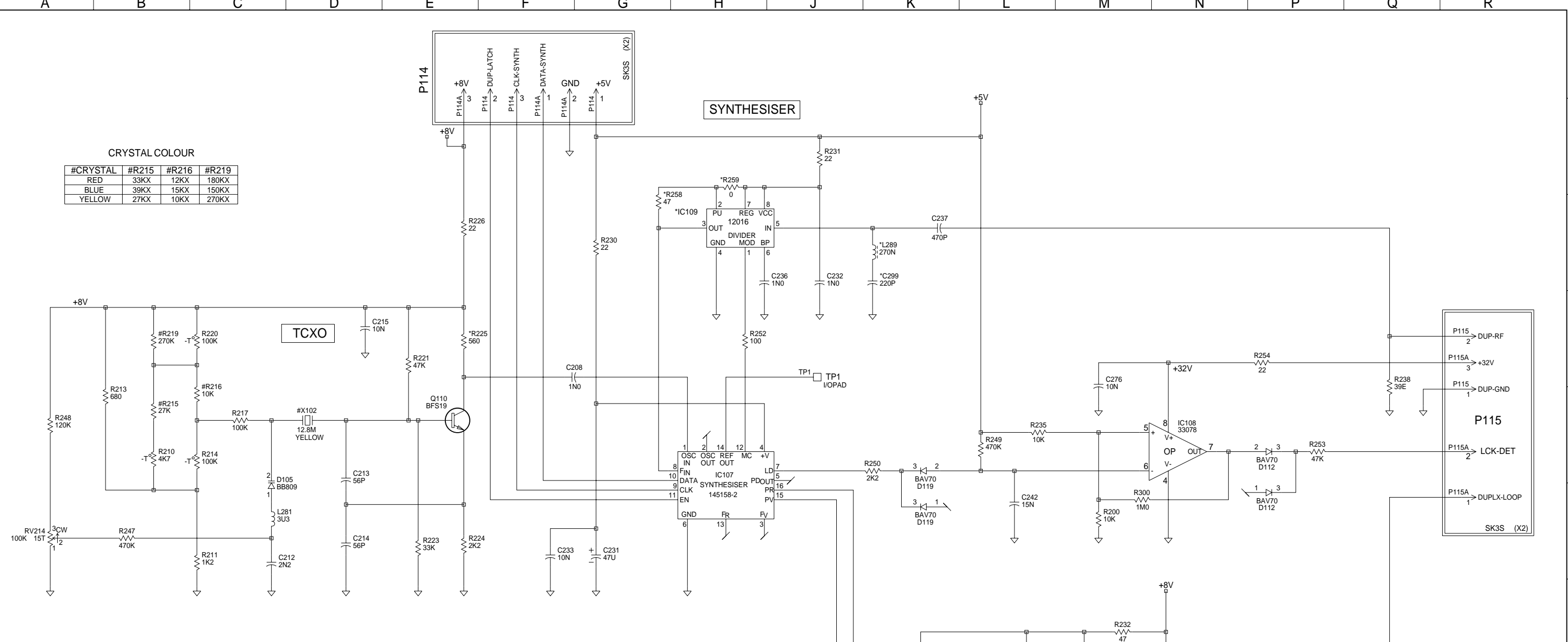


CRYSTAL COLOUR

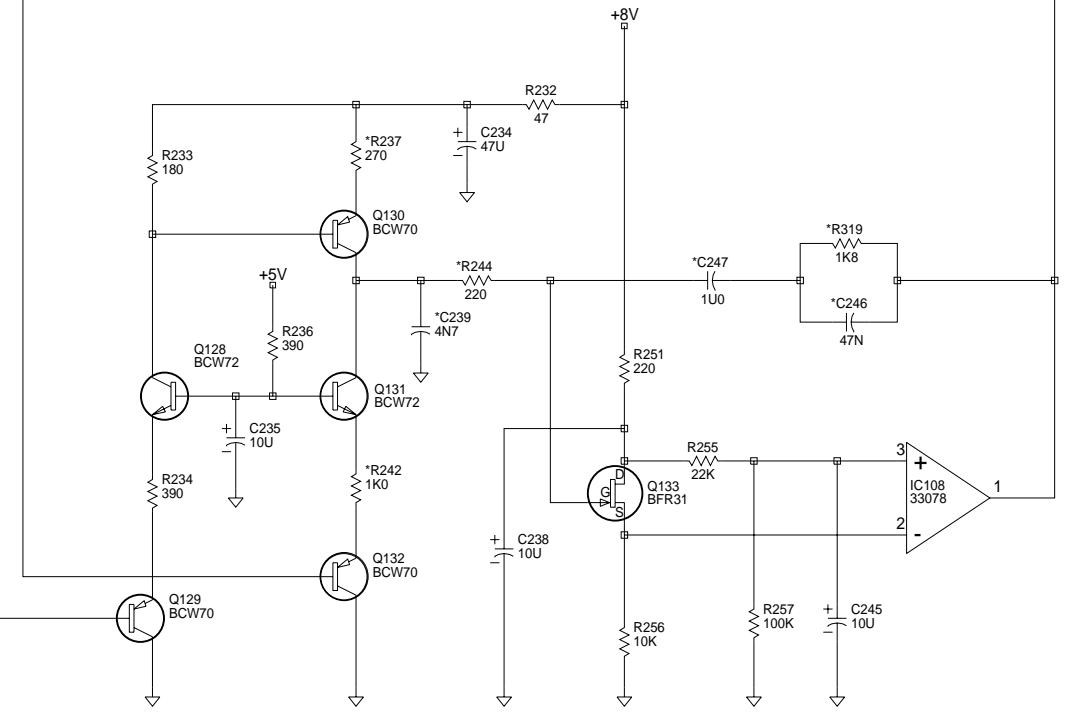
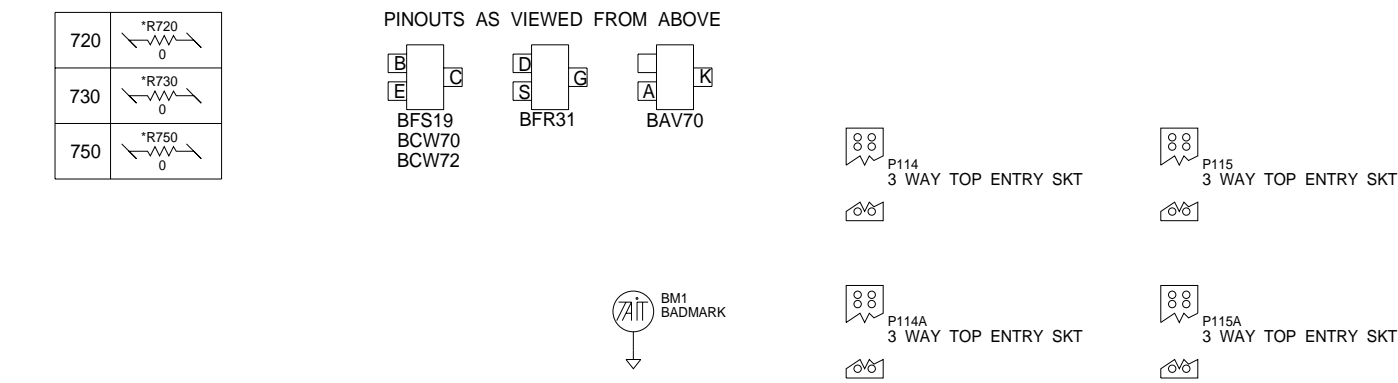
#CRYSTAL	#R215	#R216	#R219
RED	33KX	12KX	180KX
BLUE	39KX	15KX	150KX
YELLOW	27KX	10KX	270KX



NOTE: ALL COMPONENT VALUES SHOWN ON THIS SCHEMATIC ARE FOR THE T730 RADIO (VARIANT T700-63).

VARIANT TABLE

*RADIO	VARIANT	*R225	*R237	*R242	*R244	*R258	*R259	*R319	*C239	*C246	*C247	*C299	*L289	*IC109	*R720	*R730	*R750
720	T700-62	560S	180S	680S	220S	47S	-	1K5S	15NS	100NYP	1UY	-	-	12016	0S	-	-
730	T700-63	560S	270S	1K0S	220S	47S	-	1K8S	4N7S	47NYP	1UY	-	-	12016	-	0S	-
750	T700-65	1K5S	150S	560S	100S	-	0S	4K7S	15NS	15NYP	330NPOLY	220PS	270NHW	8718	-	-	0S

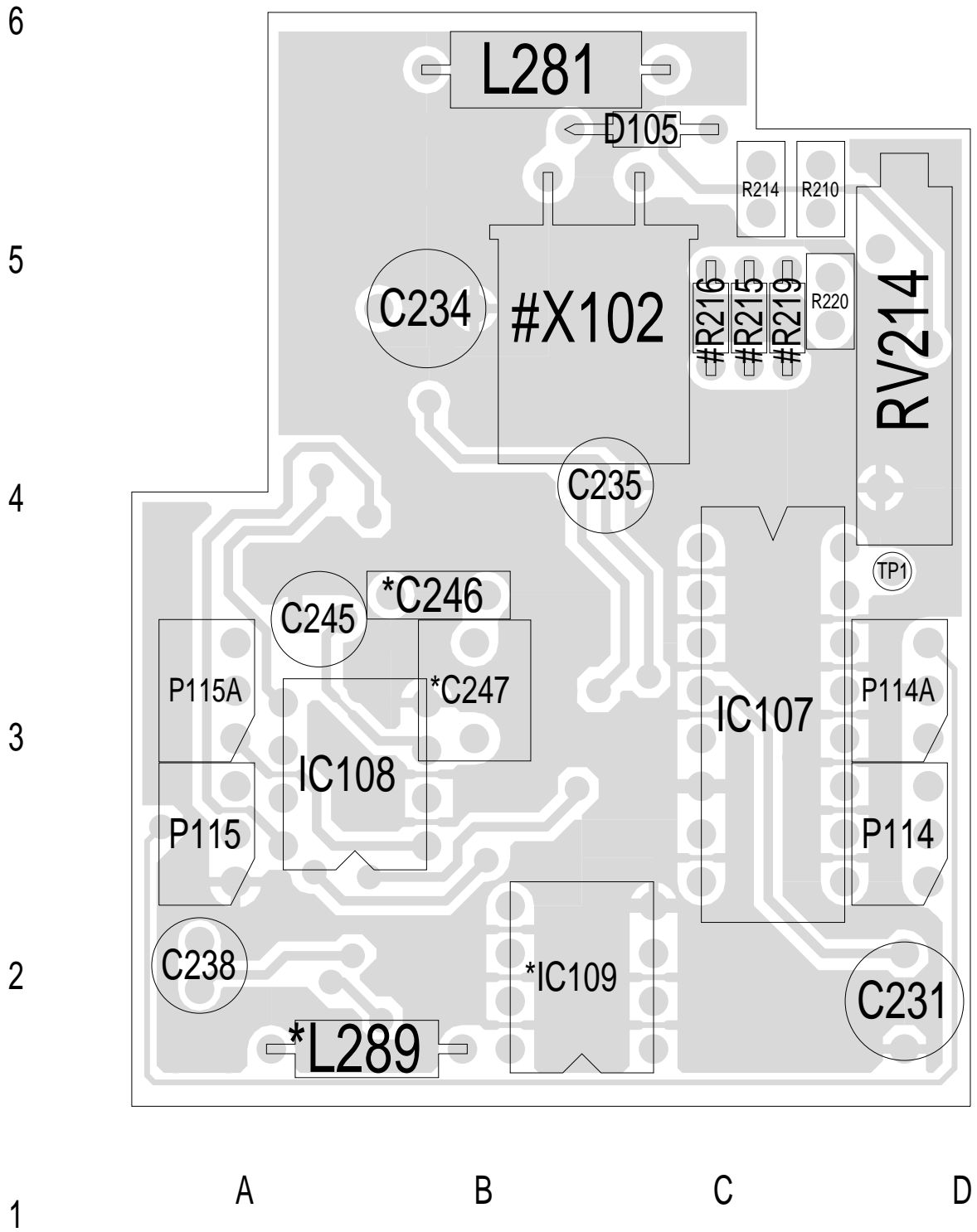


01A	C/N : 90/11-599	DJW			13/12/90
00A	ORIGINAL	JF	HO	HO	16/01/90
REV/ISS	AMENDMENTS	DRAWN	CHKD	D.O.	APVD
					DATE

© TAIT ELECTRONICS
T700-DUPLEX BOARD
OSC, SYNTH & LOOP FILTER

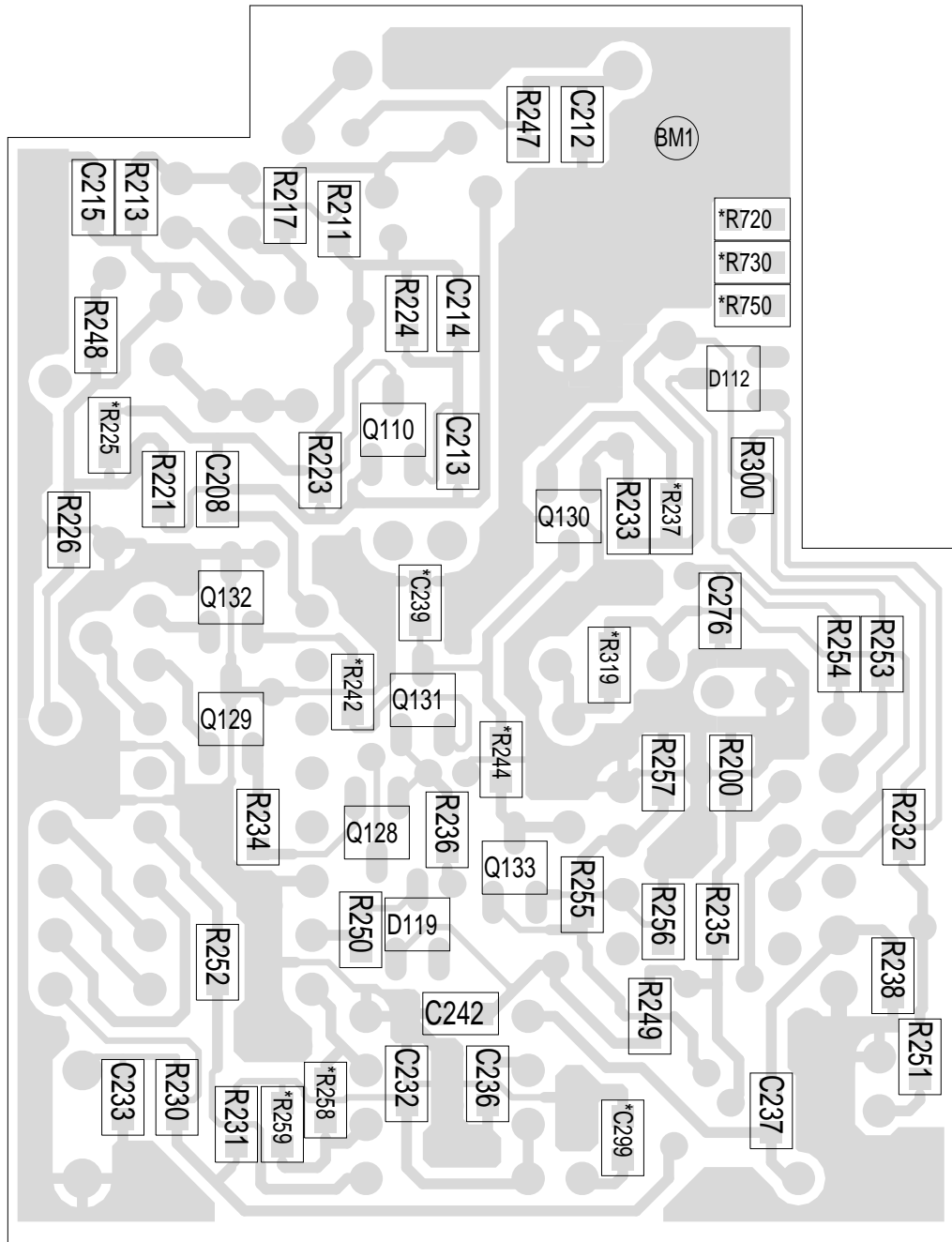
IPN: A
ISSUE: A
ID: 2.SC. 1

PROJECT: 220-01189-01
DESIGNER: HAN.O
FILE NAME: 118901a
FILE DATE: 16-Feb-00
NO. SHEETS: 1



TAIT ELECTRONICS	IPN:	ISS:	ID:	DATE:
	220-01189-01	A	1.TA	16 Feb 2000
T700-60 PCB LAYOUT - TOP SIDE				

Scale:3:1 ; Rotation: 0 degrees



D

C

B

A

6

5

4

3

2

1

TAIT ELECTRONICS	IPN:	ISS:	ID:	DATE:
	220-01189-01	A	2.BA	16 Feb 2000
T700-60 PCB LAYOUT - BOTTOM SIDE				